

# CHAdEMO connector

## Easy operation

- Just push on to plug in,
- Push release button to unplug

## Utilizing Fujikura illumination technology, our 'charging lamp' makes it easy and clear to see when our connector is charging.

- State of latch is clear to see the release button.
- Latch and release button are linked together and move simultaneously.

## Stylish design

- Conform to IEC62196-3 including the following function
  - Latch position detection
  - Broken inlet detection
  - Emergency pulling off



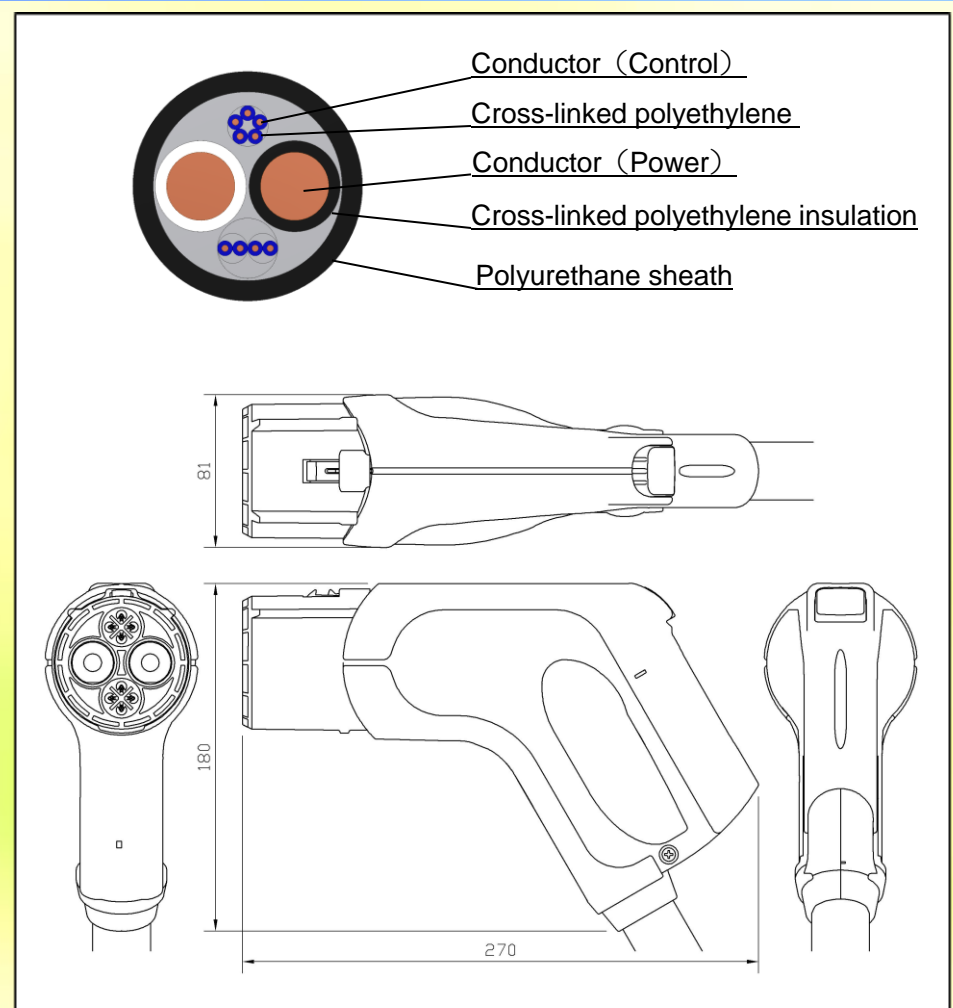
## Specification

Specification		Performance Table	
Certification body	TÜV Rheinland	Insulation resistance	100MΩ or more
Certification standards	IEC62196-3	Withstand voltage(V/1min)	AC3000V
Rated voltage	D.C.500V	Fitting insertion force	Less than 100N
Rated current	125A(35mm <sup>2</sup> ) 100A(25mm <sup>2</sup> ) 60A(10mm <sup>2</sup> )	Temperature rise	Housing : Less than 60°C Terminal : Less than 50K
Ambient temperature	-30 ~ 50°C	Drop impact	It was dropped to concrete floor from 1m on No abnormality
		IP code	Unmated : IP44 Mated : IP56 (TÜV certification value)
		Mechanical endurance	10000cycles: No damage and temperature rise of the terminal is 50K or less.

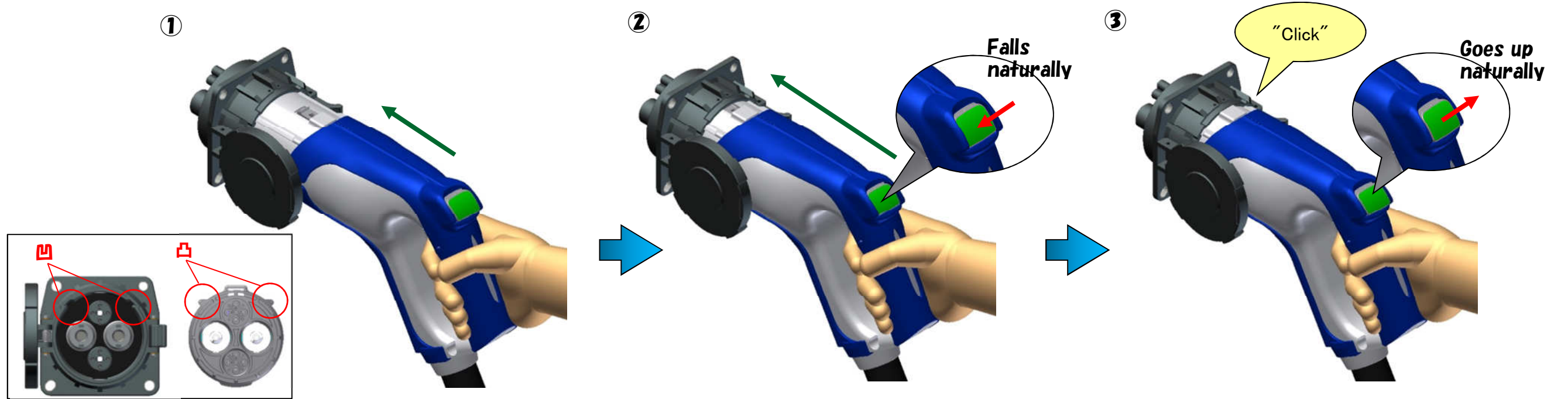
## Construction

Cable				
Voltage	600V			
Number	2	5	2P	
Conductor	mm <sup>2</sup>	35 / 25 / 10	0.75	0.75
	Diameter(mm)	7.7 / 6.8 / 4.1	1.1	1.1
Outer diameter(mm)	25.9 / 23.6 / 19.3			
Conductor	Annealed copper wire			
Insulator	Cross-linked polyethylene			
Sheath	Polyurethane			
The cores Identification	According to FIG			
Current carrying capacities	30°C	160A(35 mm <sup>2</sup> ) / 130A(25 mm <sup>2</sup> ) / 70A(10 mm <sup>2</sup> )		
	50°C	125A(35 mm <sup>2</sup> ) / 100A(25 mm <sup>2</sup> ) / 60A(10 mm <sup>2</sup> )		

Connector		
External dimensions	L270 x H180 x W81 (mm)	
Weight	1.1kg (Except cable)	
Body	Thermoplastic	
Contact	Contact	Tough pitch copper (Surface plating)
	Communication	Brass (Surface plating)
Latch	Stainless steel	



## (1) Connection operation



## (2) Removal operation



- The LED light goes off when the charging finished.
- You can keep using the connector in case the handle is hot.  
After multiple continuous use, the handle may become hot that is not abnormal.

